

DEVELOP

Dynamic balance

www.develop.eu

ineo+ 3100P

colour | 31 ppm



Your personal printer

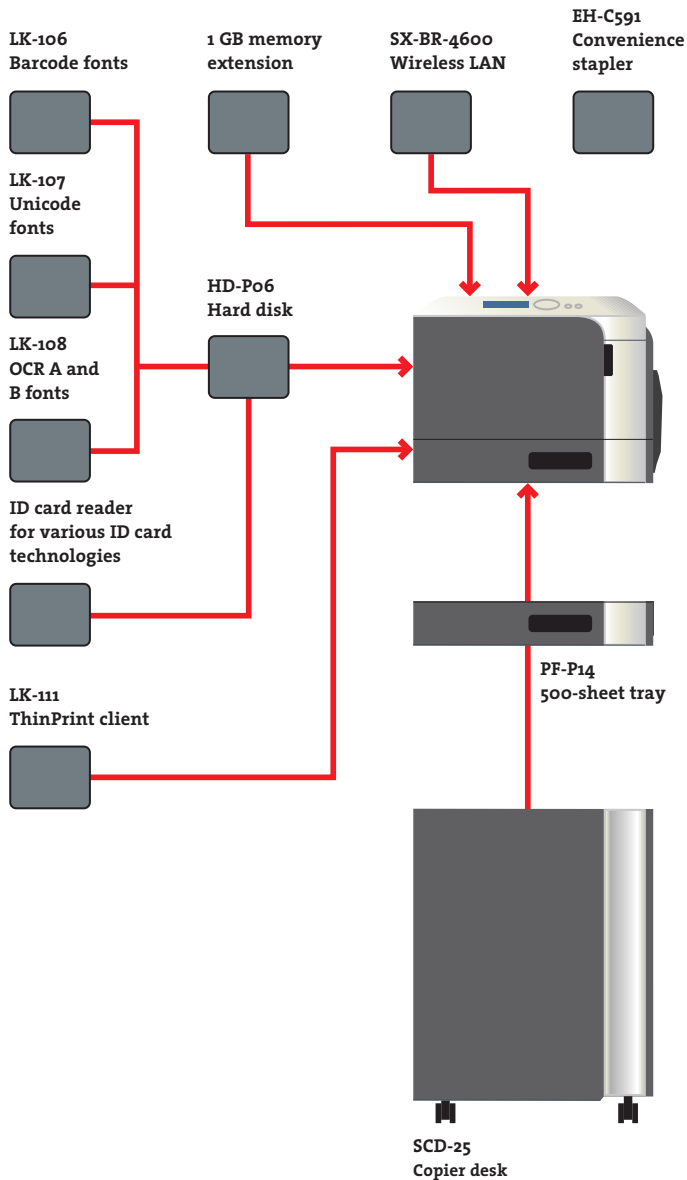
A printer just for you – and your specific work requirements. Want an important report in a hurry? Need to print a confidential document nobody else should see? No problem. The ineo+ 3100P has been specifically designed to meet the demand of everyone who needs a fast and conveniently compact colour printer that ideally complements larger multifunctional office systems. It will fit into the smallest space and economically deliver printouts of excellent quality. This printer's energy efficiency and paper-saving economy give it good environmental credentials, as the Blue Angel and Energy Star labels prove.



Productive performer

A personal printer is extremely useful for anyone who needs important documents printed either quickly or confidentially, or both – whether that's a CEO, finance or human resources department, small workgroup or sales rep with a home office. The problem is that many desktop printers are slow at processing and printing print jobs, which is a no-go in time-critical situations. The new ineo+ 3100P from DEVELOP has been launched to meet these specific needs. The powerful controller ensures print jobs are processed fast and at 31 pages per minute in colour or black and white the ineo+ 3100P is certainly a fast performer. What's more, this speed is maintained even if you choose to have documents printed on both sides to save paper and time. Fast, efficient and highly compact – the ineo+ 3100P is a productive performer that takes up little room on a desk or office shelf.

ineo+ 3100P with additional 500-sheet tray (PF-P14)
and copier desk (SCD-25)



Energy efficiency

Of course every additional office device consumes energy and paper – both business-critical cost factors. But the ineo+ 3100P helps reduce energy and paper consumption to a minimum. The printer's eco-friendly HD polymerised toner is partly made from biomass and has a very low fusing temperature, which saves energy. Moreover, this printer's power consumption is generally low and in sleep mode a mere 3W. If used regularly, the printer's standard duplex function will significantly cut paper consumption as well. The energy efficiency and environmental performance of the ineo+ 3100P have been acknowledged by Blue Angel and Energy Star labels. So investing in an ineo+ 3100P is not just a good idea for your work but also for your business and the environment.

Complementary convenience

These days, most mid-sized or large companies have one or more multifunctional A3 office systems that are used by entire departments or large workgroups. The ineo+ 3100P network printer is the ideal complement to any A3 system because it meets the personal printing needs of individuals or smaller workgroups. Since it uses the same state-of-the-art controller technology as the larger ineo systems, the ineo+ 3100P can be seamlessly integrated as a satellite system into any larger print landscape. Through its support for DEVELOP's Enterprise Suite tools, this personal printer can also be equipped for a variety of additional functions, e.g. print-job monitoring. Not only IT administrators will appreciate such complementary convenience.



ineo+ 3100P



GENERAL DATA

Type of machine

Desktop system

Printing and copying speed

> A4
Max. 31/31 ppm (colour/black & white)

Print system

Laser

Gradation

256

Paper feeder

> Standard: 350 sheets, max. 850 sheets
> 250-sheet cassette
(A6-A4, 60-210 g/m²)
> 100-sheet bypass (A6-A4+, 60-210 g/m²)
for plain paper, recycling paper, labels,
thick paper, glossy paper, envelopes

Paper format

Max. 216 x 356 mm

Printable area

Max. 207.6 x 347.6 mm

Warm-up time

less than 36 seconds

Dimensions (w x h x d)

447 x 544 x 350 mm (main body)

Weight

Approx: 23,5 kg (without options/consumables)

Power

230 V / 50/60 Hz



PRINTER SPECIFICATIONS

Controller

Embedded controller with 1.066 GHz

Memory

1 GB RAM Std., max 2 GB,
320 GB HDD optional

Resolution

1,200 x 1,200 dpi (reduced speed)

Network protocols

TCP/IP (IPv4/IPv6), SMB, LPD, IPP, SNMP,
HTTP, HTTPS

Emulation

Standard: PCL5e/c PCL6, PS 3,
Optional: XPS

Interfaces

Ethernet 10/100/1000 BaseT, USB 2.0, Host USB
(USB Drive Printing)

Driver

Windows VISTA (32/64)
Windows 7 (32/64)
Windows 8 (32/64)
Windows Server 2003 (32/64)
Windows Server 2008 (32/64)
Windows Server 2008 R2
Windows Server 2012 (64)
Windows Server 2012 R2
Macintosh OS X 10.x
Linux
Citrix

Print functions

Duplex print, overlay, watermark, N-up, poster,
booklet, USB Direct Print

optional: Direct Print of PDF/JPEG/TIFF/XPS and
OOXML (DOCX, XLSX, PPTX)

OPTIONS

- > 500-sheet cassette (A4; 60-90 g/m²)
- > 1 GB optional memory
- > 320 GB HDD
- > ID Card Reader
- > LK-106 Barcode fonts
- > LK-107 Unicode fonts
- > LK-108 OCR A and B fonts
- > LK-111 ThinPrint® Client
- > WLAN adapter
- > Copier desk

SOFTWARE SOLUTIONS

- > Data Administrator
- > Enterprise Device Manager Plug-in
- > WebConnection
- > ineo Remote Care (optional)
- > EMS Plug-in

DEVELOP



All data relating to the paper capacities of the document feeder, the final processing accessories and the paper cassettes apply to paper weighing 80 g/m² unless expressly stated otherwise. All data relating to the speed of printing, scanning or faxing apply to paper of an A4 format weighing 80 g/m² unless expressly stated otherwise.

All data relating to paper weights apply to media that are recommended by Konica Minolta. All technical data correspond to knowledge available at the time of going to print. Konica Minolta reserves the right to make technical alterations.

DEVELOP and ineo are registered trademarks/product titles owned by Konica Minolta Business Solutions Europe GmbH.

All other brand or product names are registered trademarks or product titles of their respective manufacturers. Konica Minolta does not accept any liability or guarantee for these products.